



Resistance Temperature Detector (RTD) Terminal Head, fitting welded, with extension

MJ 04

Description

RTD temperature probe, custom type.
It is normally installed on pipes or tanks that have provided a female threaded connection. Recommended to isolate the head of the high process temperatures, and especially when a transmitter is incorporated.

Applications

- Cold industry
- Chemical industry
- Pharmaceutical
- Food industry
- General industry
- OEM

Sensor elements and electric specifications

Elements no.	Simple / Double
Thermoelement	Pt100 / Pt1000 DIN EN 60751
Tolerance	Class B (from -70°C to +500°C) Class A (1/2B) (from -50°C to +300°C) Class AA (1/3B) (from 0°C to +100°C) Class 1/10B (from -50°C to +300°C)
Wire no.	2, 3 or 4
Temperature Rating ⁽¹⁾	-196 ... + 850°C
Insulation Resistance	≥ 200 MΩ to 100Vdc
Recommended Dip (mm)	6×D1 (fluid); 10×D1 (gas)

⁽¹⁾ Knowing the working temperature range can supply the most suitable option for every need. View ranges of options.

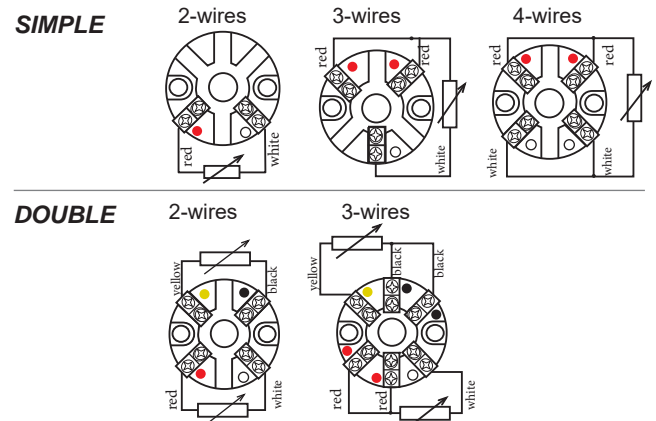


Mechanical specifications

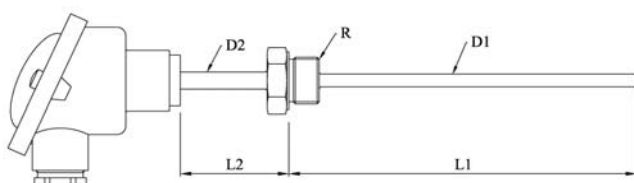
Material (thread & Tubes)	AISI 316L
Diameter D1 y D2 (mm)	6 - 8 - 10 - 12
Length L1 (mm)	50 - 100 - 150 - 250 - 500
Length L2 (mm)	50 - 70 - 100
Process connection R	1/4" BSPP - 1/2" BSPP - 3/4" BSPP 1/4" NPT - 1/2" NPT - 3/4" NPT
Terminal Head	Form B, according to DIN 43729
Material	Aluminio
Electric connection	M20x1,5

Note: We manufacture custom.
If you do not find the desired item, please contact us.

Electric connection



General drawing



Mechanical connection

